

PHILIPS

Add a touch of glamour

Philips Magnetic Track Light range

innovation  you

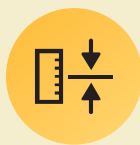






Highlight your space with contemporary track lighting

Philips presents WEBBER, its Magnetic Track Light portfolio which has the most versatile range of lights. It is a lighting system for modern spaces, offering an efficient and elegant approach to illumination. Philips WEBBER's aesthetically pleasing lights fit seamlessly with your modern decor and add a dash of style and class to your space.



Versatile

Comes in a huge variety of shapes and sizes



Space-saving

Requires no additional space



Aesthetically pleasing

Adds to the beauty of your place and lifts the ambience up



Designed for the perfect ambience



Double safety with magnetic suction and buckle



Well-lit ambience with CRI 80



Customizable wattage options



Robust metal construction



Functional, minimal design



Perfect fit for residential and commercial spaces



Fixtures



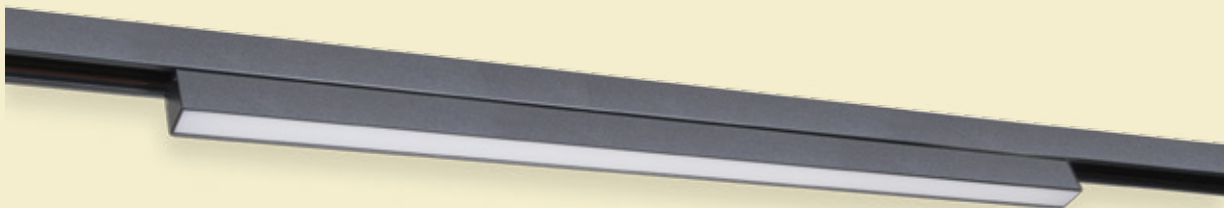
Choose the perfect track light for your space





Diffused Blade

Diffused Blade	6W	12W	18W
Input Voltage	48V DC	48V DC	48V DC
Lumen	350 Lumen	950 Lumen	1450 Lumen
CRI	>80	>80	>80
CCT	WW, NW and CW	WW, NW and CW	WW, NW and CW
Beam Angle	120 Degrees	120 Degrees	120 Degrees
Material	Aluminum	Aluminum	Aluminum
Body Color	Black	Black	Black
Dimensions	L 204 mm, W 23 mm, H 43 mm	L 305 mm, W 23 mm, H 43 mm	L 605 mm, W 23 mm, H 43 mm
Weight (gms)	130	178	334
USP 1		Modular Design	
USP 2	Long-lasting fixture		
USP 3	Functional, minimal design - Fits perfectly in any home		
USP 4	Protection from shock - low-voltage safety		





L-Diffused Blade

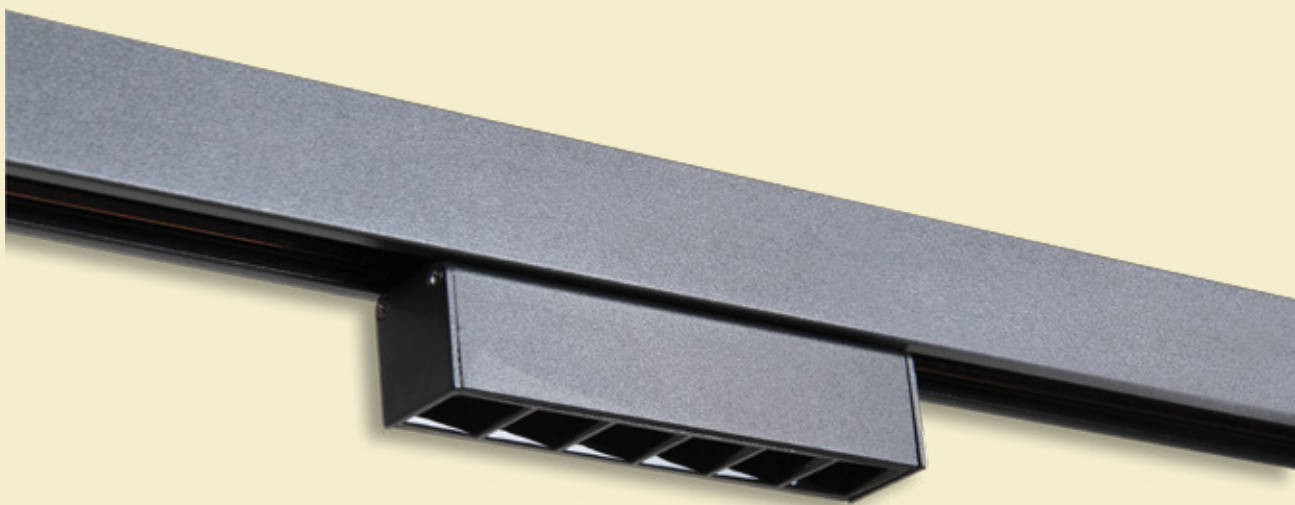
L-shaped Diffused Blade	24W
Input Voltage	48V DC
Lumen	1450 Lumen
CRI	>80
CCT	WW, NW and CW
Beam Angle	120 Degrees
Material	Aluminum
Body Color	Black
Dimensions	L 322 mm, W 303 mm, H 43 mm
USP 1	Modular Design
USP 2	Long-lasting fixture
USP 3	Functional, minimal design - Fits perfectly in any home
USP 4	Protection from shock - low-voltage safety
Weight (gms)	446





Spot Blade

Spot Blade	6W	12W	18W
Input Voltage	48V DC	48V DC	48V DC
Lumen	420 Lumen	870 Lumen	1350 Lumen
CRI	>80	>80	>80
CCT	WW, NW and CW	WW, NW and CW	WW, NW and CW
Beam Angle	36 Degrees	36 Degrees	36 Degrees
Material	Aluminium	Aluminium	Aluminium
Body Color	Black	Black	Black
Dimensions	L 111 mm, W 23 mm, H 44 mm	L 219 mm, W 23 mm, H 44 mm	L 327 mm, W 23 mm, H 44 mm
Weight (gms)	90	150	206
USP 1	Modular Design		
USP 2	Long-lasting fixture		
USP 3	Functional, minimal design - Fits perfectly in any home		
USP 4	Protection from shock - low-voltage safety		





Narrow Movable Blade

Narrow Movable Blade	6W	12W	18W
Input Voltage	48V DC	48V DC	48V DC
Lumen	300 Lumen	600 Lumen	900 Lumen
CRI	>80	>80	>80
CCT	WW, NW and CW	WW, NW and CW	WW, NW and CW
Beam Angle	36 Degrees	36 Degrees	36 Degrees
Material	Aluminum	Aluminum	Aluminum
Body Color	Black	Black	Black
Dimensions	L 132 mm, W 23 mm, H 60 mm	L 246 mm, W 23 mm, H 60 mm	L 361 mm, W 23 mm, H 60 mm
Weight (gms)	123	218	313
USP 1	Modular Design		
USP 2	Long-lasting fixture		
USP 3	Functional, minimal design - Fits perfectly in any home		
USP 4	Protection from shock - low-voltage safety		





Foldable Blade

Foldable Blade	6W	12W
Input Voltage	48V DC	48V DC
Lumen	450 Lumen	930 Lumen
CRI	>80	>80
CCT	WW, NW and CW	WW, NW and CW
Beam Angle	24 Degrees	24 Degrees
Material	Aluminum	Aluminum
Body Color	Black	Black
Dimensions	L 112 mm, W 23 mm, H 135 mm	L 221 mm, W 23 mm, H 134 mm
Weight (gms)	326	561
USP 1	Modular Design	
USP 2	Long-lasting fixture	
USP 3	Functional, minimal design - Fits perfectly in any home	
USP 4	Protection from shock - low-voltage safety	





Imperial Wall Washer

Imperial Wall Washer	12W
Input Voltage	48V DC
Lumen	800 Lumen
CRI	>80
CCT	WW, NW and CW
Beam Angle	24 Degrees
Material	Aluminum
Body Color	Black
Dimensions	L 126 mm, W 90 mm, H 127 mm
Weight (gms)	263
USP 1	Modular Design
USP 2	Long-lasting fixture
USP 3	Functional, minimal design - Fits perfectly in any home
USP 4	Protection from shock - low-voltage safety





Track Spot

Track Spot	6W	12W	18W
Input Voltage	48V DC	48V DC	48V DC
Lumen	500 Lumen	1250 Lumen	1730 Lumen
CRI	>80	>80	>80
CCT	WW, NW and CW	WW, NW and CW	WW, NW and CW
Beam Angle	24 Degrees	24 Degrees	24 Degrees
Material	Aluminum	Aluminum	Aluminum
Body Color	Black	Black	Black
Dimensions	L 126 mm, W 36 mm, H 144 mm	L 126 mm, W 48 mm, H 205 mm	L 126 mm, W 57 mm, H 222 mm
Weight (gms)	121	290	410
USP 1	Modular Design		
USP 2	Long-lasting fixture		
USP 3	Functional, minimal design - Fits perfectly in any home		
USP 4	Protection from shock - low-voltage safety		





Diffused Pendant

Diffused Pendant	7W
Input Voltage	48V DC
Lumen	650 Lumen
CRI	>80
CCT	WW, NW and CW
Beam Angle	120 Degrees
Material	Aluminum
Body Color	Black
Dimensions	L 126 mm, W 55 mm, H 1262 mm
Weight (gms)	345
USP 1	Modular Design
USP 2	Long-lasting fixture
USP 3	Functional, minimal design - Fits perfectly in any home
USP 4	Protection from shock - low-voltage safety





Spot Pendant

Spot Pendant	7W
Input Voltage	48V DC
Lumen	450 Lumen
CRI	>80
CCT	WW, NW and CW
Beam Angle	24 Degrees
Material	Aluminum
Body Color	Black
Dimensions	L 126 mm, W 40 mm, H 1265 mm
Weight (gms)	381
USP 1	Modular Design
USP 2	Long-lasting fixture
USP 3	Functional, minimal design - Fits perfectly in any home
USP 4	Protection from shock - low-voltage safety



Track and Accessories

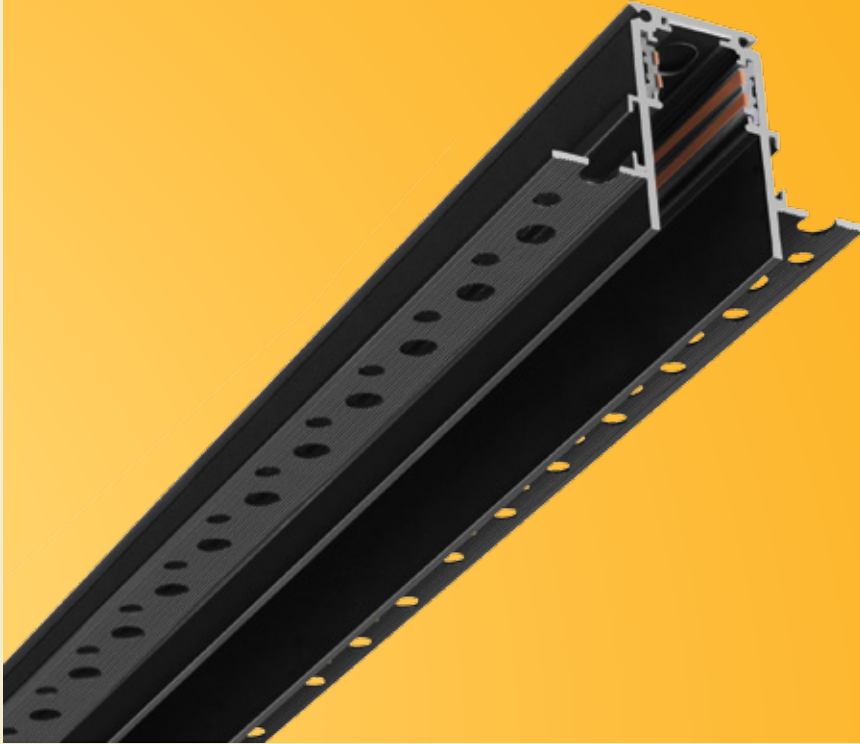


Efficiently and precisely illuminating with the help of accessories



Track | Recessed

Input voltage: DC48V



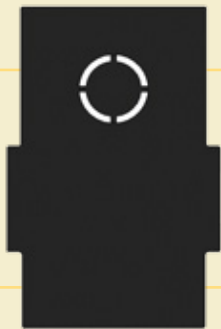
582041 Philips Webber Recessed Track 1M

Dimensions (mm): L1000 x W63 x H47

Weight (gms): 1103

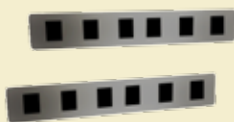
Material: Aluminum

Product Code: 919215851169



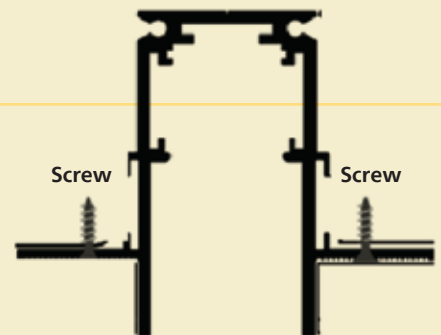
End Cap

2 units provided
with each track
Dimensions: W63 x H47mm



Connectors

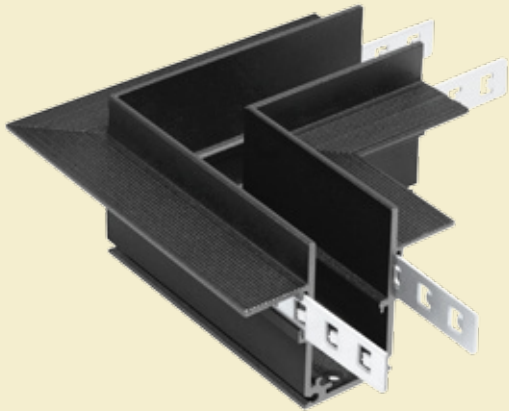
1 unit provided with each
Track (mechanical connection
between 2 tracks)



Mounting Illustration

(detailed instructions in later pages)

Corners



582037 Philips Webber Recessed Corner 90°

Dimensions (mm): 100 x 100

Weight (gms): 137

Product Code: 919215851165

For movement on the ceiling



582035 Philips Webber Recessed Corner 90° In

Dimensions (mm): 100 x 100

Weight (gms): 150

Product Code: 919215851163

For ceiling to wall movement



582036 Philips Recessed Corner 90° Out

Dimensions (mm): 100 x 100

Weight (gms): 145

Product Code: 919215851164

For wall to ceiling movement

Track | Trimless Recessed

Input voltage: DC48V



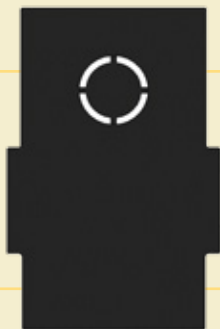
582040 Philips Recessed Trimless Track 1M

Dimensions (mm): L1000 x W63 x H47

Weight (gms): 1099

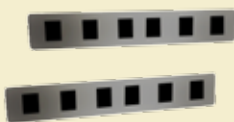
Material: Aluminum

Product Code: 919215851168



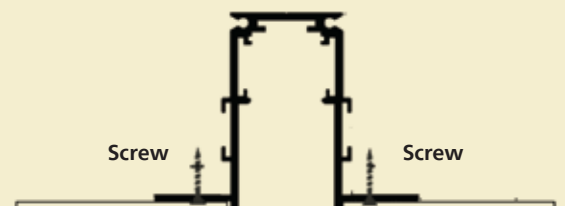
End Cap

2 units provided
with each track
Dimensions: W63 x H47mm



Connectors

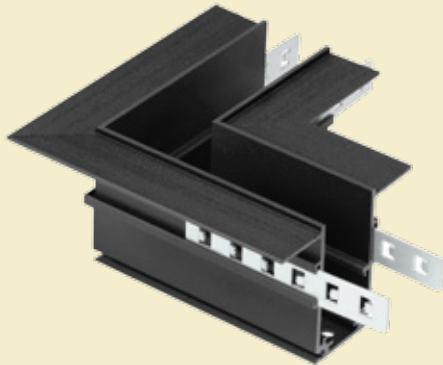
1 unit provided with each
Track (mechanical connection
between 2 tracks)



Mounting Illustration

(detailed instructions in later pages)

Corners



582034 Philips Webber Trimless Corner 90°

Dimensions (mm): 100 x 100

Weight (gms): 132

Product Code: 919215851162

For movement on the ceiling



582032 Philips Webber Trimless Corner 90° In

Dimensions (mm): 100 x 100

Weight (gms): 152

Product Code: 919215851160

For ceiling to wall movement



582033 Philips Webber Trimless Corner 90° Out

Dimensions (mm): 100 x 100

Weight (gms): 157

Product Code: 919215851161

For wall to ceiling movement

Track | Surface and Suspended

Input voltage: DC48V



582043 Philips Surface & Suspended Track

1M Dimensions (mm): L1000 x W26 x H53

Weight (gms) 938

Material: Aluminum

Product Code: 919215851171



582039 Philips Surface & Suspended Corner 90°

Dimensions (mm): 80 x 80

Weight (gms): 146

Product Code: 919215851167

End Cap

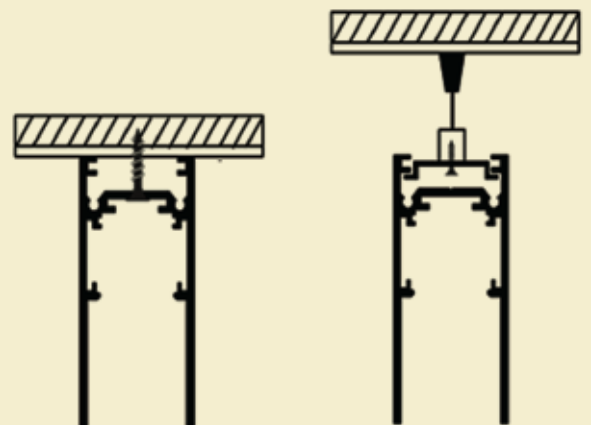
2 units provided with each Track

Dimensions: W26 x H53 mm



Connectors

1 unit provided with each Track (mechanical connection between 2 tracks)



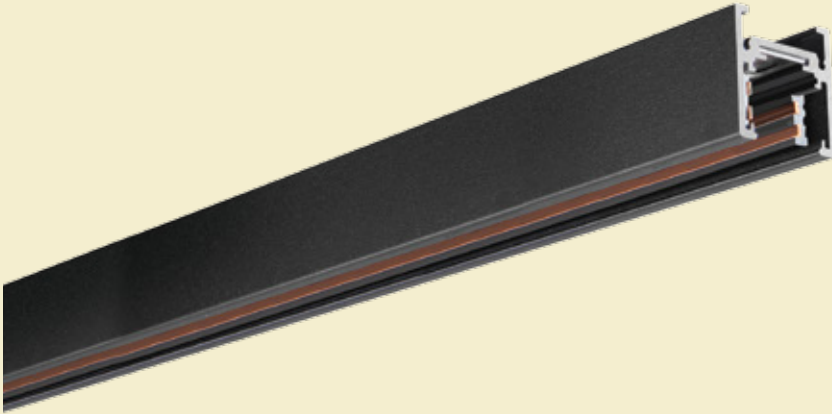
Surface Installation

Suspended Installation



Track | Surface and Suspended - Micro

Input voltage: DC48V



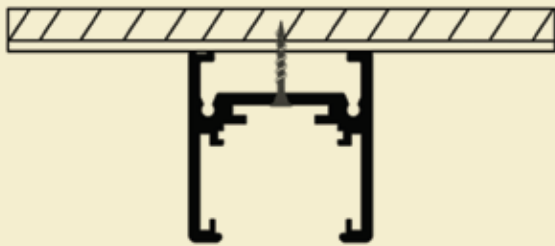
582042 Philips Micro Surface & Suspended Track

1M Dimensions (mm): L1000 x W26.5 x H27.5

Weight (gms): 740

Material: Aluminum

Product Code: 919215851170



Mounting Illustration
(detailed instructions in later pages)



Connectors

1 unit provided with each Track (mechanical connection between 2 tracks)



End Cap

2 units provided with each Corner
Dimensions: W26.5 x H27.5mm



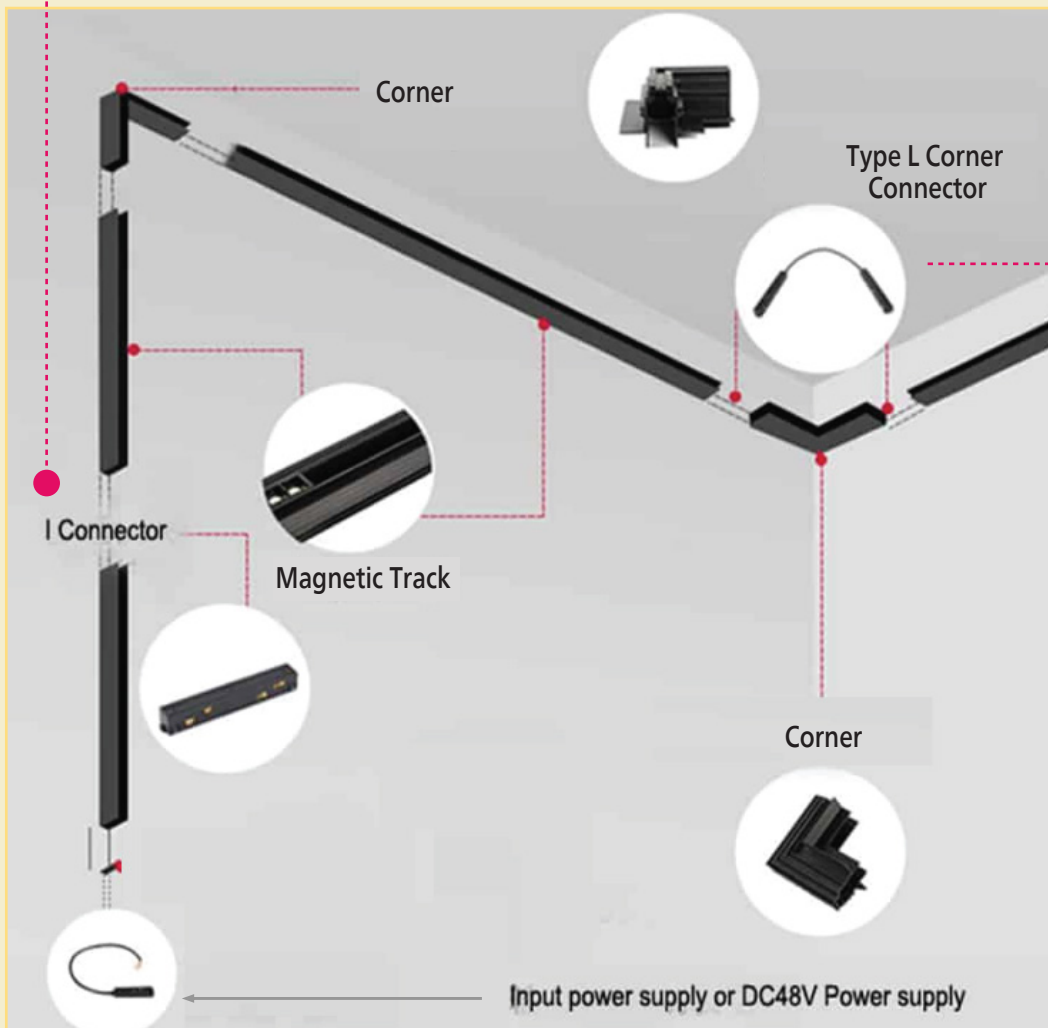
582038 Philips Micro Surface & Suspended Corner 90°

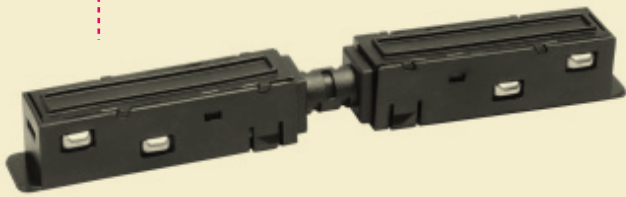
Dimensions (mm): 80 x 80

Weight (gms): 123

Product Code: 919215851166

Connecting Modules





582027 Philips Webber Type I Connection

Product Code: 919215851155

Weight (gms): 31

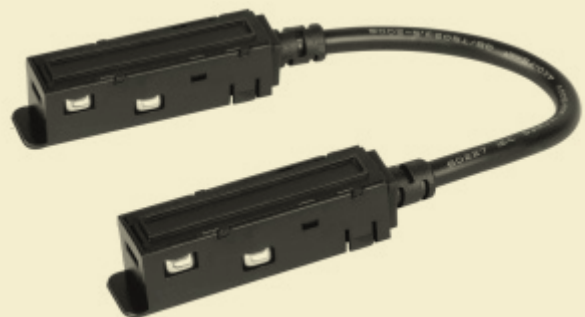
- Straight-through module Set
- Application to any type track
- For connection between 2 tracks

582028 Philips Webber Type L Connection

Product Code: 919215851156

Weight (gms) 44

- Corner Module Set
- Application to any type track
- For corner connection between 2 tracks

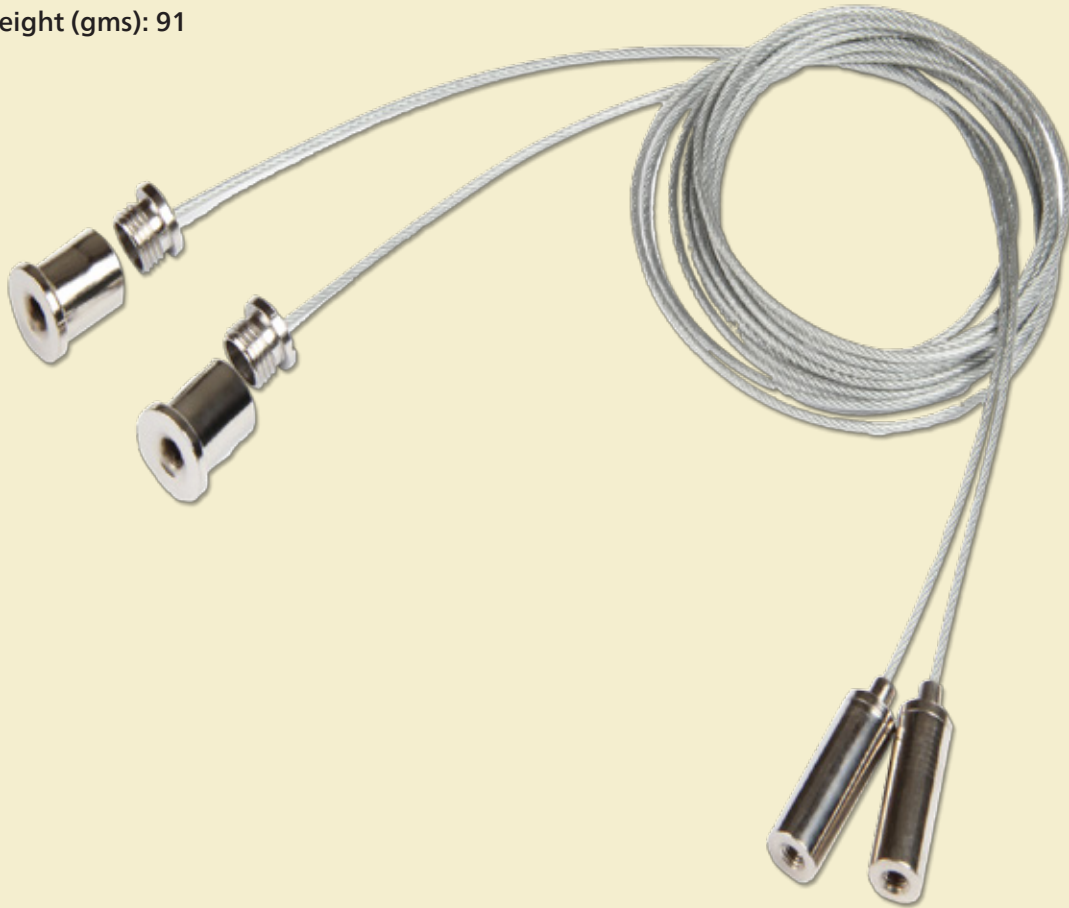


Hanging Kit

582031 Philips Webber Hanging Kit

Product Code: 919215851159

Weight (gms): 91



582043 Philips Surface & Suspended Track

1M Dimensions (mm): L1000 x W26 x H53

Weight (gms): 938

Material: Aluminum

Product Code: 919215851171



582042 Philips Micro Surface & Suspended Track

1M Dimensions (mm): L1000 x W26.5 x H27.5

Weight (gms): 740

Material: Aluminum

Product Code: 919215851170

Hanging Kit can be used only with the Tracks shown above

Driver Connection Kit

For connecting the Track to the External Driver

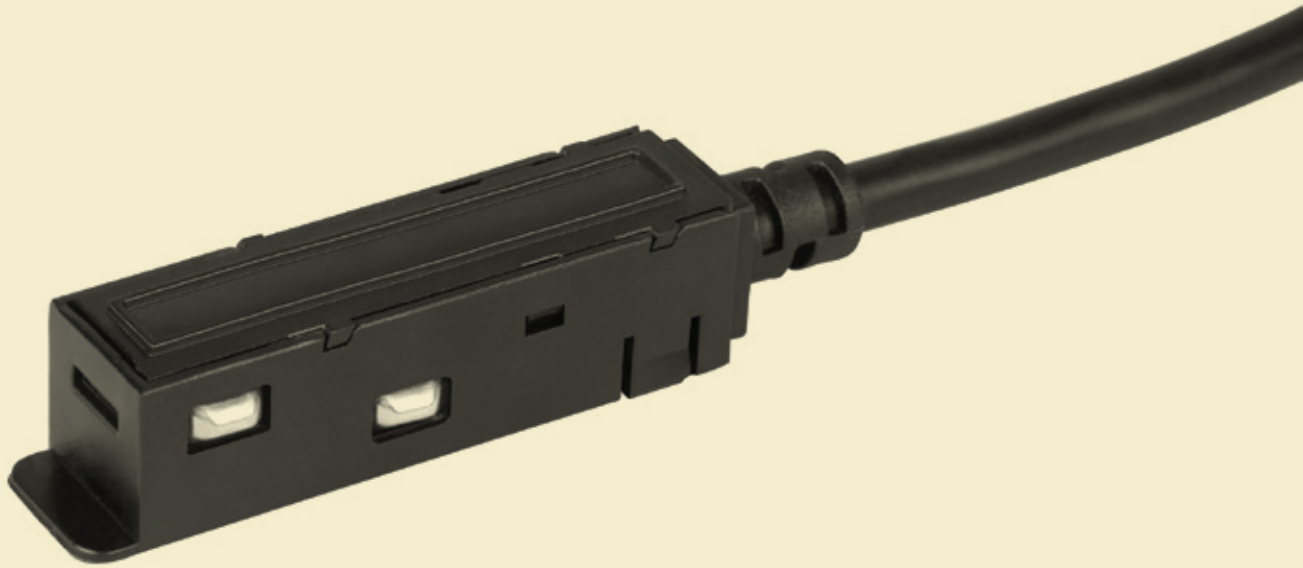
Available in 2 lengths: 0.5 Meter and 1.5 Meter

919215851157 582029 Philips Webber Connection Kit 0.5M

Weight (gms): 47

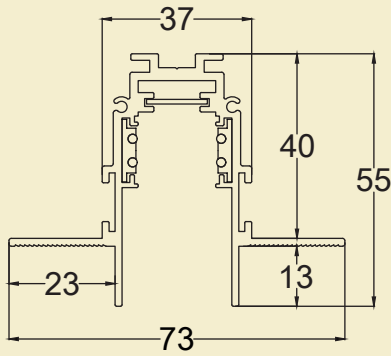
919215851158 582030 Philips Webber Connection Kit 1.5M

Weight (gms): 120



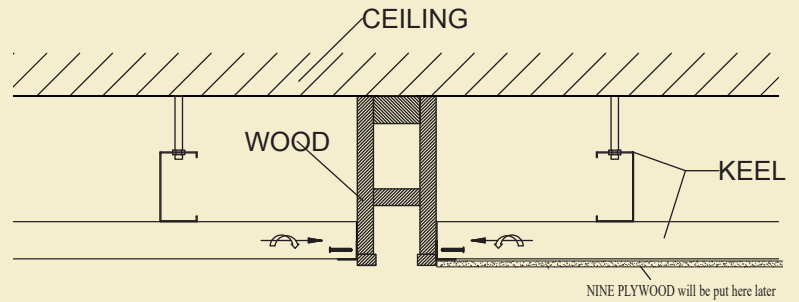
Directions for Use

Recessed



SECTIONAL DRAWING FOR TRACK TC20

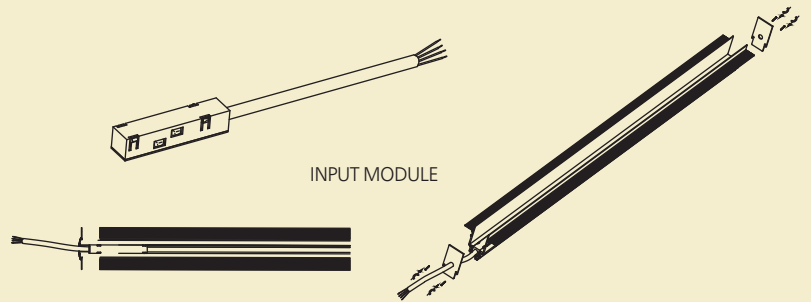
1



Make the wooden slot according to the sectional drawing of the track and the design needed, it should be strong enough to hold the track and all the lights, and please ensure the height of the slot should let the wing of the track match with the first NINE PLYWOOD which will be fixed on later.

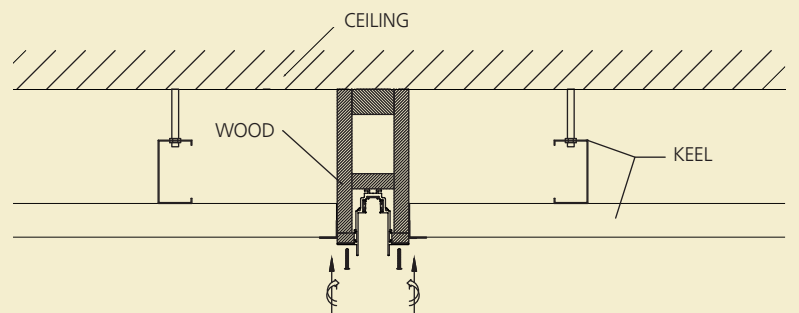
2

Put the input module on start position of the first track, pull the wire out from the hole on the end caps, then use the screws to lock the end caps on the track. On the other hand, close the other end of the track also with the end caps Note: If there are several tracks in this system, please close the end of the last track with end caps instead.

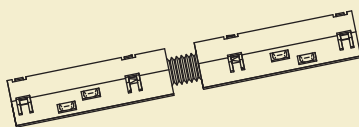


3

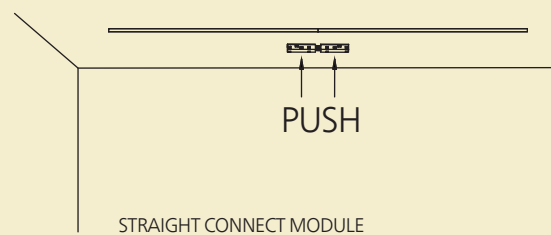
Twist the screws through the wings of the track to install the track in the wooden slot, better dig holes on the wings in advance. Note: If there are several tracks and corners in this system, please install all the tracks in the slot in the same way.



4

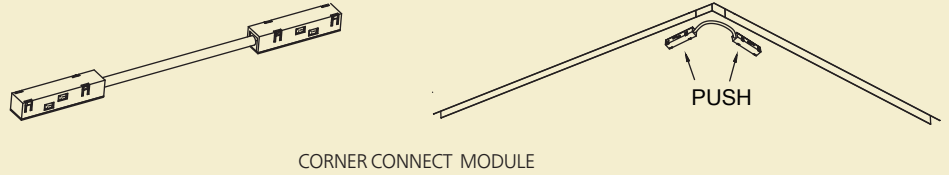


Put the straight connect module on all the connect positions of two straight tracks.



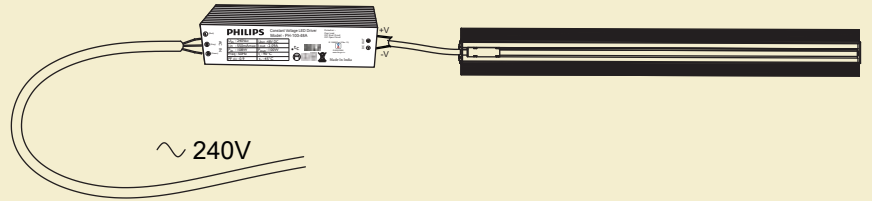
5

Put the corner connect module on all the corners.



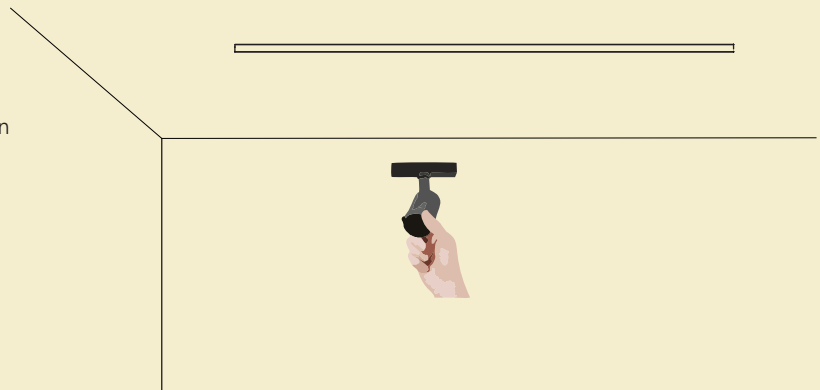
6

Connect the wire of the input module to +V&-V terminal of the 48V DC driver, no matter positive or negative; then connect the N, L, EARTH terminals to the electric supply; later fix the driver on a proper position of the ceiling.



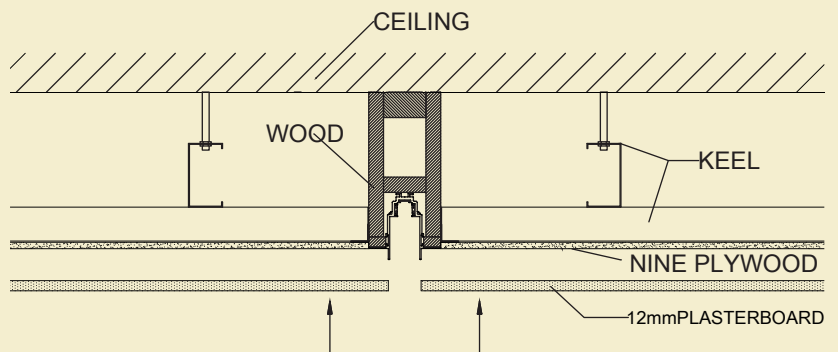
7

Check and confirm if all the connections of the tracks and wires are proper, then install one of the lights on the track to ensure that all the tracks are working properly.



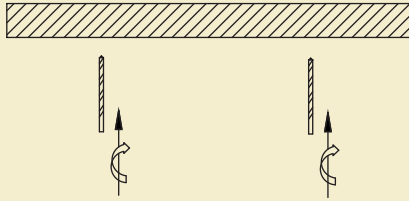
8

Cover the ceiling with the first NINE PLYWOOD and the 12mm PLASTERBOARD, then continue to do all the following necessary procedures.



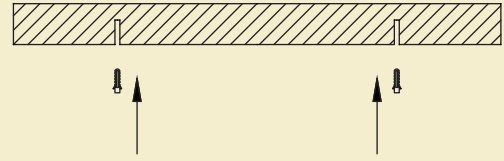
Surface

1



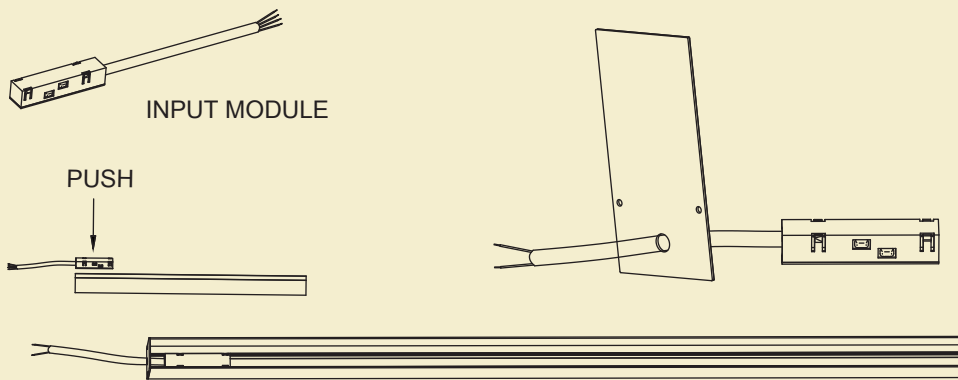
Drill a proper hole on the ceiling in the size according to the expansion pipe.

2



Put the expansion pipe in the drilled hole.

3



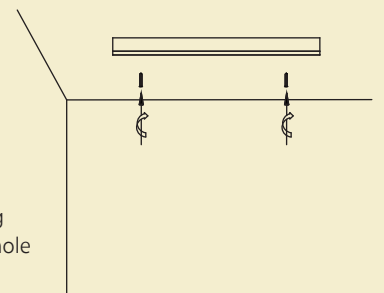
Put the input module on start position of the first track, pull the wire out from the hole on the end caps, then use the screws to lock the end caps on the track. On the other hand, close the other end of the track also with the end caps. Note: if there are several tracks in this system, please close the end of the last track with end caps instead.

4



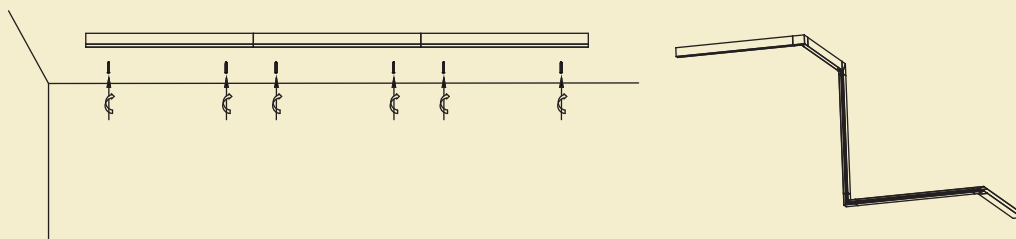
Drill two holes on the bottom of the track according to the position of the drilled hole on the ceiling.

5



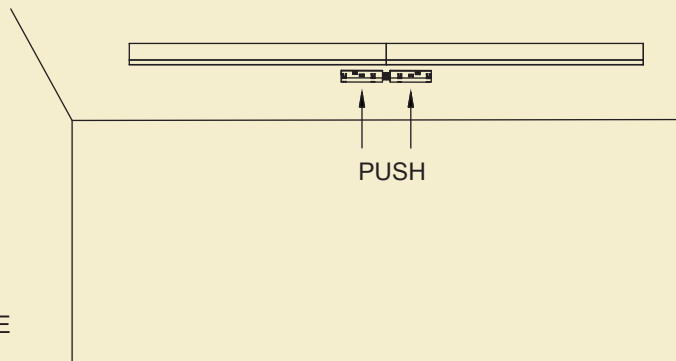
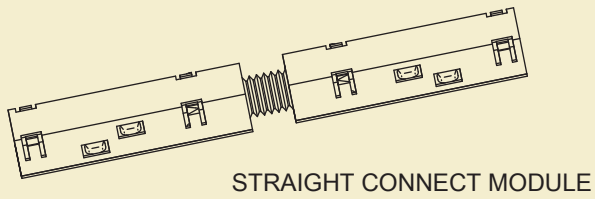
Fix the track on the ceiling by locking the self-tapping screw through the hole of the track to the expansion pipe.

6



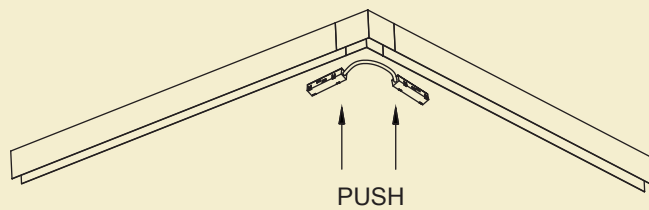
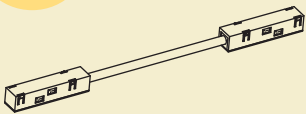
If there are several tracks in this system, please fix all the tracks on the ceiling in same way.

7



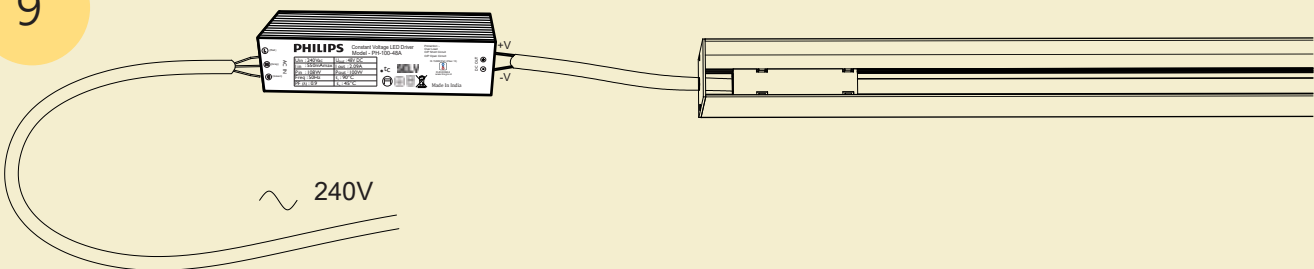
Put the straight connect module on all the connect position of two straight tracks.

8



Put the corner connect module on all the corners. Note: If the design is a circle, then no need to put the corner connect in the last corner.

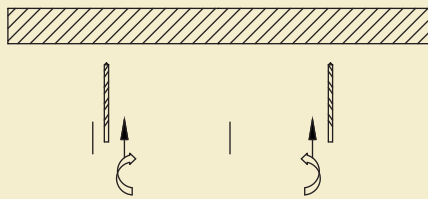
9



Connect the wire of the input module to +V&-V terminal of the 48V DC driver, no matter positive or negative; then connect the N, L, EARTH terminals to the electric supply; later fix the driver on a proper position of the ceiling.

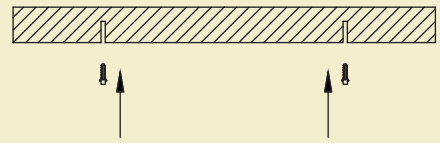
Suspended

1



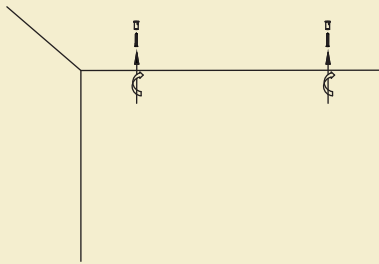
Drill a proper hole on the ceiling in the size which is according to the expansion pipe.

2



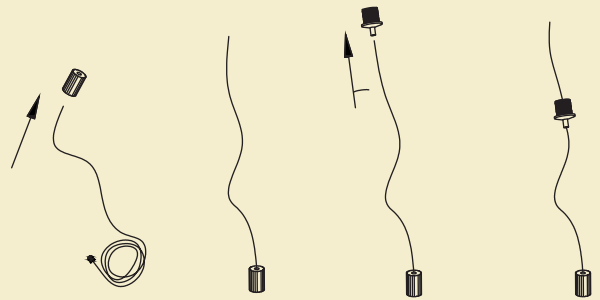
Put the expansion pipe in the drilled hole.

3



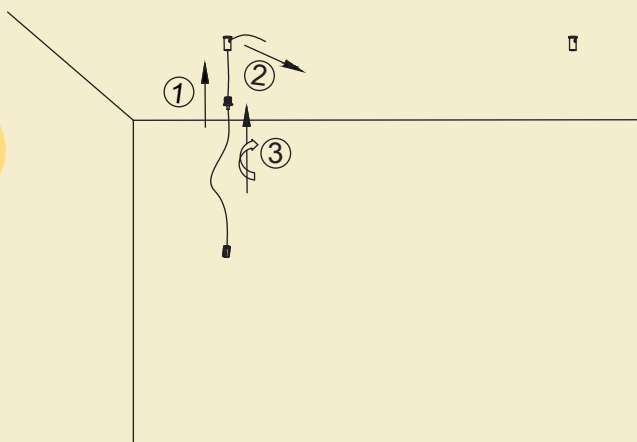
Fix the component with hole and internal thread on the ceiling by locking the self-tapping screw through the hole to the expansion pipe.

4



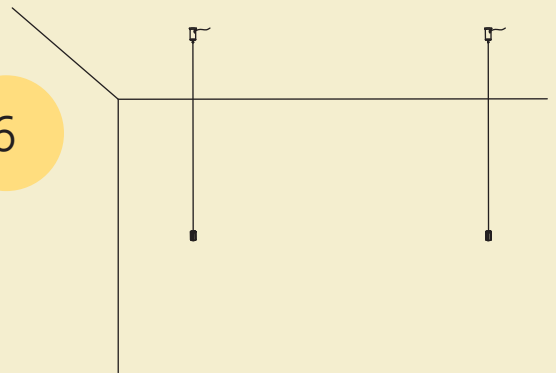
Let the wire go through the screw with line and the tension spring, then keep the stud inside the screw.

5



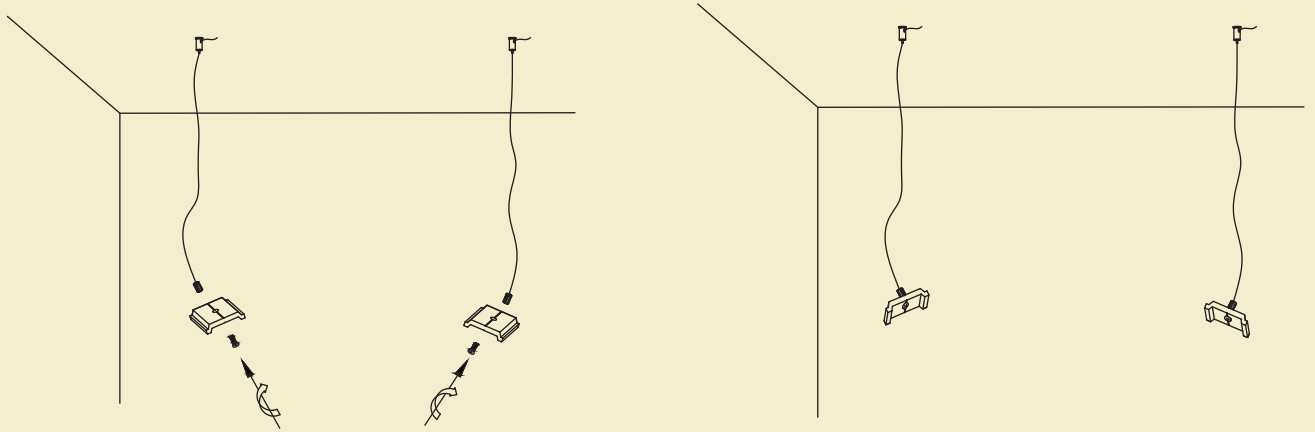
Pull the wire from the hole of the component with internal thread, then screw the tension spring on it.

6



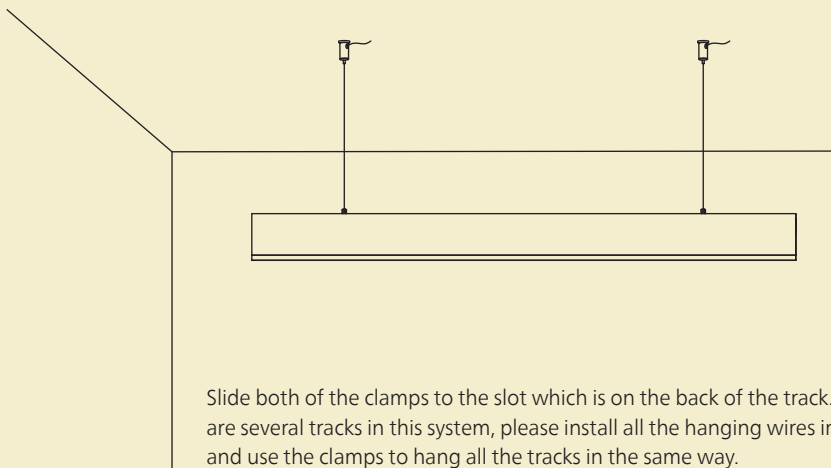
Adjust both the wires to the proper length.

7



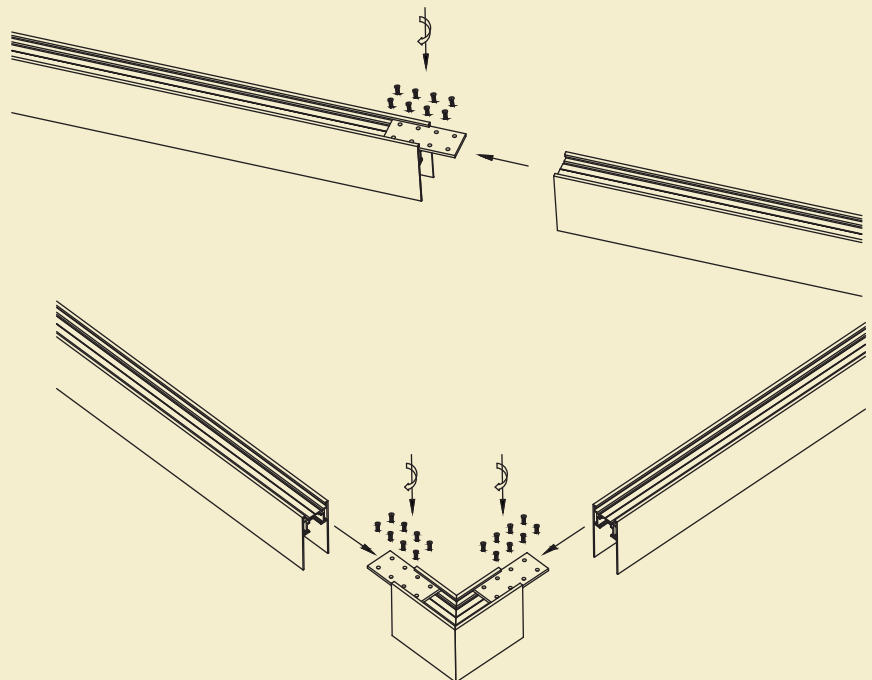
Use the screw to fix the clamps on the screw with line.

8



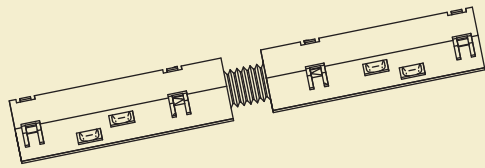
Slide both of the clamps to the slot which is on the back of the track. Note: If there are several tracks in this system, please install all the hanging wires in proper position and use the clamps to hang all the tracks in the same way.

9

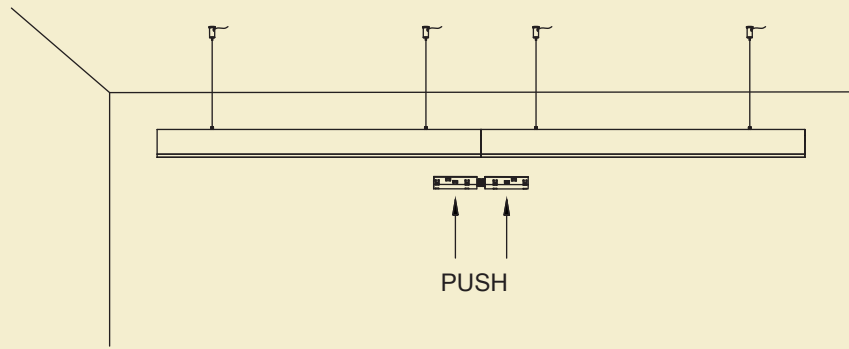


For connecting two tracks together, please slide the metal plate to the slots which are on the back of the two tracks, keep the tracks closed touched, then fix the screws to make it tight.

10



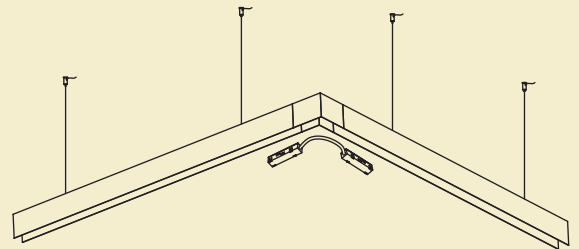
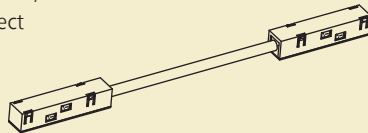
STRAIGHT CONNECTOR MODULE



Put the straight connect module on all the connect position of two straight tracks.

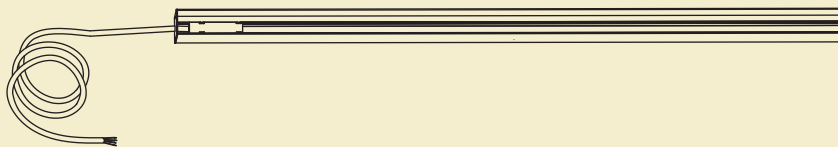
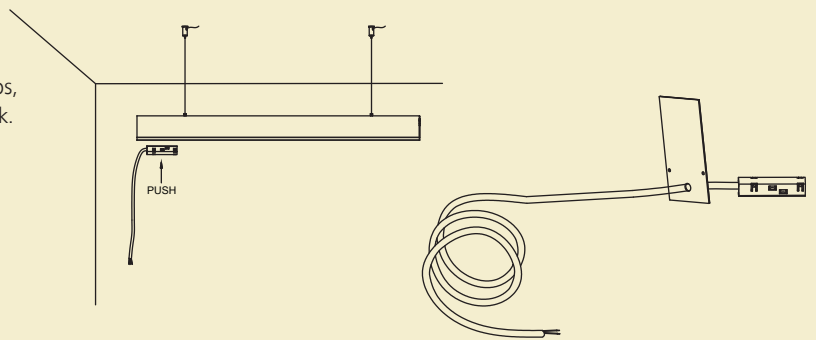
11

Pull the corner, connect module on all the corners. Note: If the design is a circle, then no need to pull the corner, connect module in the last corner.

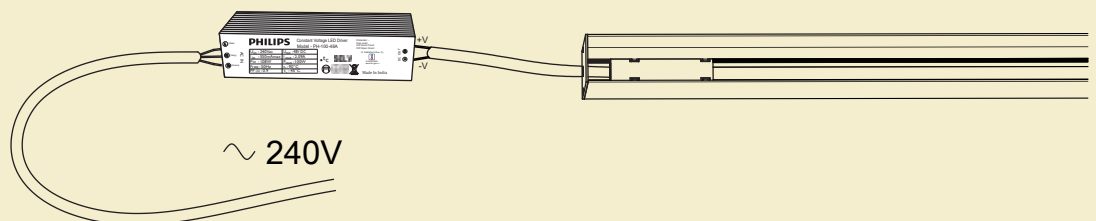


12

Put the input module on start position of the first track, pull the wire out from the hole on the end caps, then use the screws to lock the end caps on the track. On the other hand, close the other end of the last track in this systems also with the end caps.



12



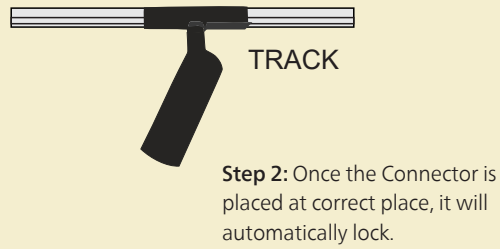
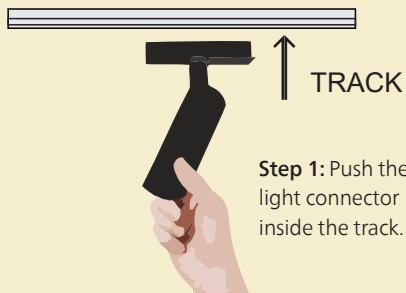
Connect the wire of the input module to "+V" & "-V" terminal of the Driver. No matter for the positive and negative; then connect the N, L, Earth terminals to the electric supply; later fix the driver on a proper position of the ceiling.

Need to follow below points at the time of light Installation:

While installing the track lights, please follow the below points for mounting/dis-mounting,

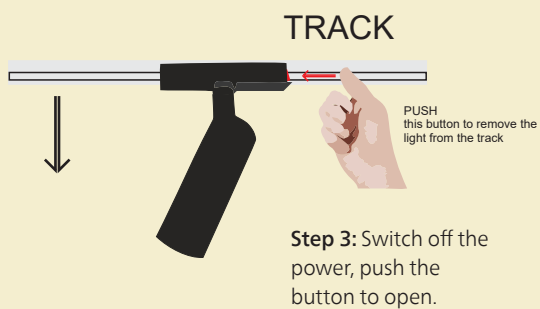
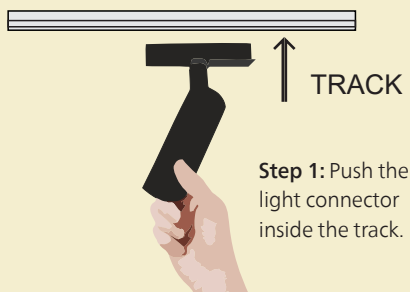
1

For Webber Diffused Blade Magnetic Series, Webber Spot Blade Magnetic Series, Webber Narrow Blade Magnetic Series, Webber Foldable Blade Magnetic Series, 7W Diffused Pendant follow below:



2

For Webber Track Spot Magnetic Series, Webber 7W Spot Pendant Magnetic Series, Webber 12W Wall Washer Magnetic Series, follow below.



Price List

Range	Sub-range	12 NC	Description	Pack Size	Weight (gms)	Tax %	MRP
Diffused Blade	Diffused Blade 6W	919215851101	581979 PHILIPS WEBBER 6W DIFFUSED BLADE WW	6	130	18%	1,880
		919215851102	581979 PHILIPS WEBBER 6W DIFFUSED BLADE NW	6	130	18%	1,880
		919215851103	581979 PHILIPS WEBBER 6W DIFFUSED BLADE CW	6	130	18%	1,880
	Diffused Blade 12W	919215851104	581980 PHILIPS WEBBER 12W DIFFUSED BLADE WW	6	178	18%	2,450
		919215851105	581980 PHILIPS WEBBER 12W DIFFUSE DBLADE NW	6	178	18%	2,450
		919215851106	581980 PHILIPS WEBBER 12W DIFFUSED BLADE CW	6	178	18%	2,450
	Diffused Blade 18W	919215851107	581981 PHILIPS WEBBER 18W DIFFUSED BLADE WW	4	334	18%	4,020
		919215851108	581981 PHILIPS WEBBER 18W DIFFUSED BLADE NW	4	334	18%	4,020
		919215851109	581981 PHILIPS WEBBER 18W DIFFUSED BLADE CW	4	334	18%	4,020
	L-Shaped Diffused Blade 24W	919215851110	581982 PHILIPS WEBBER 24W L-DIFFUSED WW	4	446	18%	4,960
		919215851111	581982 PHILIPS WEBBER 24W L-DIFFUSED NW	4	446	18%	4,960
		919215851112	581982 PHILIPS WEBBER 24W L-DIFFUSED CW	4	446	18%	4,960
Spot Blade	Spot Blade 6W	919215851113	581983 PHILIPS WEBBER 6W SPOT BLADE WW	6	90	18%	1,730
		919215851114	581983 PHILIPS WEBBER 6W SPOT BLADE NW	6	90	18%	1,730
		919215851115	581983 PHILIPS WEBBER 6W SPOT BLADE CW	6	90	18%	1,730
	Spot Blade 12W	919215851116	581984 PHILIPS WEBBER 12W SPOT BLADE WW	6	150	18%	2,470
		919215851117	581984 PHILIPS WEBBER 12W SPOT BLADE NW	6	150	18%	2,470
		919215851118	581984 PHILIPS WEBBER 12W SPOT BLADE CW	6	150	18%	2,470
	Spot Blade 18W	919215851119	581985 PHILIPS WEBBER 18W SPOT BLADE WW	4	206	18%	3,420
		919215851120	581985 PHILIPS WEBBER 18W SPOT BLADE NW	4	206	18%	3,420
		919215851121	581985 PHILIPS WEBBER 18W SPOT BLADE CW	4	206	18%	3,420
Narrow Movable Blade	Narrow Movable Blade 6W	919215851122	581986 PHILIPS WEBBER 6W NARROW BLADE WW	6	123	18%	2,490
		919215851123	581986 PHILIPS WEBBER 6W NARROW BLADE NW	6	123	18%	2,490
		919215851124	581986 PHILIPS WEBBER 6W NARROW BLADE CW	6	123	18%	2,490
	Narrow Movable Blade 6W	919215851125	581987 PHILIPS WEBBER 12W NARROWBLADE WW	6	218	18%	3,790
		919215851126	581987 PHILIPS WEBBER 12W NARROWBLADE NW	6	218	18%	3,790
		919215851127	581987 PHILIPS WEBBER 12W NARROWBLADE CW	6	218	18%	3,790
	Narrow Movable Blade 12W	919215851128	581988 PHILIPS WEBBER 18W NARROWBLADE WW	4	313	18%	5,120
		919215851129	581988 PHILIPS WEBBER 18W NARROWBLADE NW	4	313	18%	5,120
		919215851130	581988 PHILIPS WEBBER 18W NARROWBLADE CW	4	313	18%	5,120
Foldable Blade	Foldable Blade 6W	919215851131	581989 PHILIPS WEBBER 6WFOLDABLEBLADE WW	6	326	18%	5,640
		919215851132	581989 PHILIPS WEBBER 6WFOLDABLEBLADE NW	6	326	18%	5,640
		919215851133	581989 PHILIPS WEBBER 6WFOLDABLEBLADE CW	6	326	18%	5,640
	Foldable Blade 12W	919215851134	581990 PHILIPS WEBBER 12WFOLDABLEBLADE WW	6	561	18%	7,750
		919215851135	581990 PHILIPS WEBBER 12WFOLDABLEBLADE NW	6	561	18%	7,750
		919215851136	581990 PHILIPS WEBBER 12WFOLDABLEBLADE CW	6	561	18%	7,750
Imperial Wall Washer	Imperial Wall Washer 12W	919215851137	581991 PHILIPS WEBBER 12W IMPERIAL WW	4	263	18%	7,090
		919215851138	581991 PHILIPS WEBBER 12W IMPERIAL NW	4	263	18%	7,090
		919215851139	581991 PHILIPS WEBBER 12W IMPERIAL CW	4	263	18%	7,090

Price List

Range	Sub-range	12 NC	DESCRIPTION	Pack Size	Weight (gms)	Tax %	MRP
Track Spot	Track Spot 6W	919215851140	581992 PHILIPS WEBBER 6W TRACK SPOT WW	6	121	18%	4,340
		919215851141	581992 PHILIPS WEBBER 6W TRACK SPOT NW	6	121	18%	4,340
		919215851142	581992 PHILIPS WEBBER 6W TRACK SPOT CW	6	121	18%	4,340
	Track Spot 12W	919215851143	581993 PHILIPS WEBBER 12W TRACK SPOT WW	6	290	18%	6,070
		919215851144	581993 PHILIPS WEBBER 12W TRACK SPOT NW	6	290	18%	6,070
		919215851145	581993 PHILIPS WEBBER 12W TRACK SPOT CW	6	290	18%	6,070
	Track Spot 18W	919215851146	581994 PHILIPS WEBBER 18W TRACK SPOT WW	4	410	18%	7,590
		919215851147	581994 PHILIPS WEBBER 18W TRACK SPOT NW	4	410	18%	7,590
		919215851148	581994 PHILIPS WEBBER 18W TRACK SPOT CW	4	410	18%	7,590
Diffused Pendant	Diffused Pendant 7W	919215851149	581995 PHILIPS 7W DIFFUSED PENDANT WW	4	345	18%	5,460
		919215851150	581995 PHILIPS 7W DIFFUSED PENDANT NW	4	345	18%	5,460
		919215851151	581995 PHILIPS 7W DIFFUSED PENDANT CW	4	345	18%	5,460
Spot Pendant	Spot Pendant 7W	919215851152	581996 PHILIPS WEBBER 7W SPOT PENDANT WW	4	381	18%	5,700
		919215851153	581996 PHILIPS WEBBER 7W SPOT PENDANT NW	4	381	18%	5,700
		919215851154	581996 PHILIPS WEBBER 7W SPOT PENDANT CW	4	381	18%	5,700
Connecting Module	Connecting Module	919215851155	582027 PHILIPS WEBBER TYPE I CONNECTION	20	31	18%	1,280
		919215851156	582028 PHILIPS WEBBER TYPE L CONNECTION	20	44	18%	1,330
Driver Connection Kit	Driver Connection Kit	919215851157	582029 PHILIPS WEBBER CONNECTIONKIT 0.5M	12	47	18%	940
		919215851158	582030 PHILIPS WEBBER CONNECTIONKIT 1.5M	12	120	18%	1,620
Hanging Kit	Hanging Kit	919215851159	582031 PHILIPS WEBBER HANGING KIT	12	91	18%	1,200
Corners	Corners	919215851160	582032 PHILIPS WEBBER TRIMLESS CORNER 90° IN	12	152	18%	3,070
		919215851161	582033 PHILIPS WEBBER TRIMLESS CORNER 90° OUT	12	157	18%	3,070
		919215851162	582034 PHILIPS WEBBER TRIMLESS CORNER 90°	12	132	18%	3,070
		919215851163	582035 PHILIPS WEBBER RECESSED CORNER 90° IN	12	150	18%	3,070
		919215851164	582036 PHILIPS RECESSED CORNER 90° OUT	12	145	18%	3,070
		919215851165	582037 PHILIPS WEBBER RECESSED CORNER 90°	12	137	18%	3,070
		919215851166	582038 PHILIPS MICRO SURFACE & SUSP CORNER 90°	12	123	18%	3,070
		919215851167	582039 PHILIPS SURFACE & SUSP CORNER 90°	12	146	18%	3,070
Track	Track Length 1M	919215851168	582040 PHILIPS RECESSED TRIMLESS TRACK 1M	10	1,099	18%	6,680
		919215851169	582041 PHILIPS WEBBER RECESSED TRACK 1M	10	1,103	18%	6,680
		919215851170	582042 PHILIPS MICRO SURFACE & SUSP TRACK 1M	12	740	18%	5,570
		919215851171	582043 PHILIPS SURFACE & SUSPENDED TRACK 1M	10	938	18%	6,490
Independent Driver	Independent Driver	919215851172	PHILIPS WEBBER 100W 48V DC IND LED DRIVER	6	815	18%	4,710

